

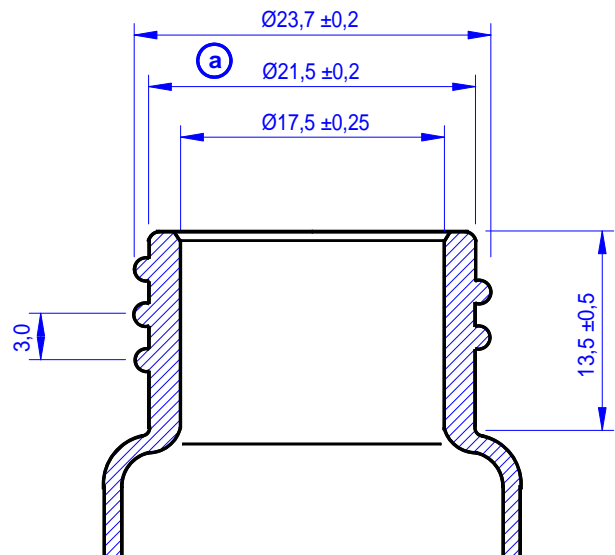
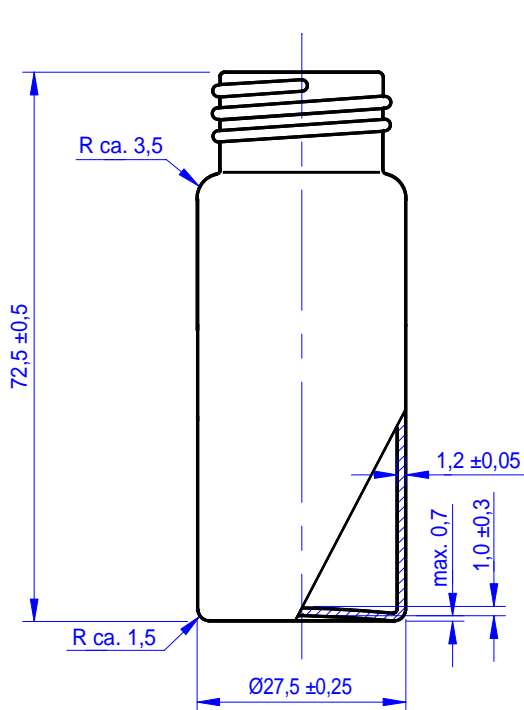


Technical Data Sheet

LLG-EPA threaded bottle 30 ml,
clear 1st hydrolytic class, 72.5 x 27.5 mm

Art.-Nr.: 6.267 124

Scale: 1 : 1



Ⓐ Hals- + Gewinde-diam. - 0,1 mm

Unlimited dimensions DIN ISO 2768-1 m / DIN 7715-1, -5

This document was sent online and is valid without signature