

0.5ml Cryogenic Vials

Features

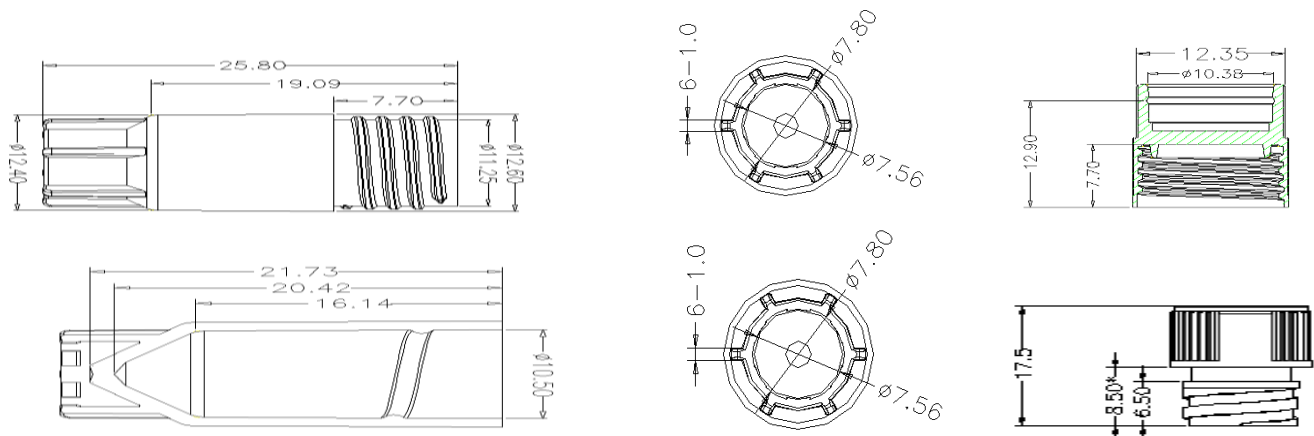
1. USP VI Polypropylene
2. Non-pyrogenic, DNase/RNase and human DNA free
3. Round Bottom, Self-standing
4. Solid, one-piece construction ensures the barcode not fall off during the storage under low temperature
5. Autoclavable
6. Sterilized by E-beam, SAL=10⁻⁶
7. Clear graduations and white marking area
8. Recommend to store in gas phase of the nitrogen tank
9. Internal thread Cap: Special screw cap designed with silicone O-ring to secure the sealing under various condition.
10. External thread Cap: Special screw cap designed without silicone ring to avoid the contamination risk.

Description

Temperature Range : Approx.-196°C to 121°C
 Shelf Life : 5 Years after date of production (ensure package is in good)
 Sterile : Yes

Product Range

| Cat.No. | Volume (mL) | Cap Style | Packaging | /Pack | /Case |
|---------|-------------|-----------------|-------------|-------|-------|
| 618001 | 0.5 | External thread | Plastic bag | 50 | 2,000 |
| 618101 | | Internal thread | | | |
| 618003 | | External thread | 9*9/Box | 81 | 1,296 |
| 618103 | | Internal thread | | | |
| 618102 | | Internal thread | | | |



| | | | |
|-------------------|---|-----------------|---|
| NEST China | Tel : 0510-6878 8698 / 6878 8718 | NEST USA | Tel : +1-732-381-0268 |
| | Email : info@nest-wuxi.com | | Email : info@nestscientificusa.com |
| | Website : www.cell-nest.com | | Website : www.nestscientificusa.com |
| | Add : No.230, xida road, new district, Wuxi, Jiangsu, China | | Add : 1592 Hart St., Rahway, NJ07065, USA |