

# 15mL Centrifuge Tubes

## Features

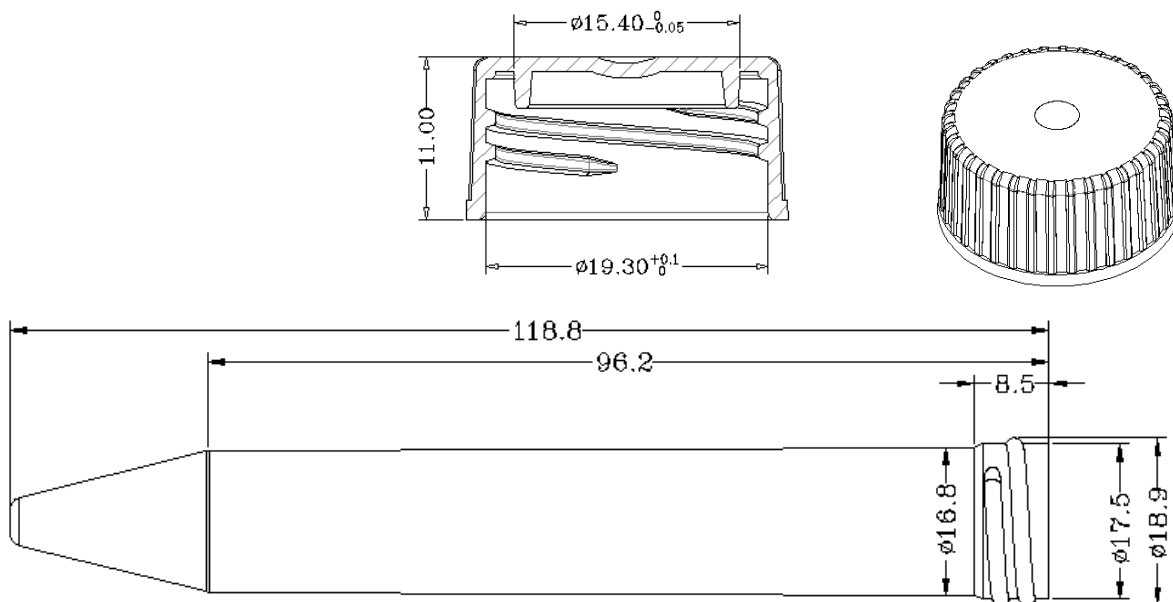
1. USP VI Materials
2. Meet the requirements of analytical level
3. High strength non-toxic materials
4. Printed clear graduations with marking area
5. PP for the tube and HDPE for the cap
6. One-hand operation design
7. Sterilized by E-Beam
8. DNase, RNase and pyrogen free

## Description

Temperature Range : Approx.-80 to+121 °C  
 Shelf Life : 3 years after date of production  
 Sterile : Yes

## Product Range

Cat.No.	Volume (mL)	Packaging	Max.RCF (xg)	/Pack	/Case
601001	15	PS Rack	12000	50	500
601002		Bagged			



<b>NEST China</b>	Tel : 0510-6878 8698 / 6878 8718	<b>NEST USA</b>	Tel : +1-732-381-0268
	Email : info@nest-wuxi.com		Email : info@nestscientificusa.com
	Website : www.cell-nest.com		Website : www.nestscientificusa.com
	Add : No.230, xida road, new district, Wuxi, Jiangsu, China		Add : 1592 Hart St., Rahway, NJ07065, USA