


PDS No. 95x700	PRODUCT DATA SHEET			Page 1 of 1
Revision 11	Media Bottle with Screw Cap			
	Greiner Item-No. 95x700			
Valid for Item-No.:	950700 (sterile)	951700 (sterile)	952700 (sterile)	

1.	Description / Specification	
1.1	Description	Squared media bottle (tetragonal design) with screw cap, embossed graduation, sterile 950700: 500 ml volume (graduation: two-sided) 951700: 100 ml volume 952700: 1000 ml volume (graduation: two-sided)
1.2	Dimensions	See Customer Drawing
1.3	Volume	950700: 500 ml 951700: 100 ml 952700: 1000 ml
1.4	Material / Resin	<u>Bottle</u> : PET (Polyethylene Terephthalate), free of heavy metal <u>Screw cap</u> : HDPE (High Density Polyethylene), free of heavy metal
1.5	Colour	<u>Bottle</u> : transparent <u>Screw cap</u> : translucent white
1.6	Sterilization	SAL 10 ⁻³
1.7	Quality Control	- <u>Raw Material-Control</u> : physical testing - <u>Product-Control</u> : testing of attributive and variable characteristics in accordance with the valid specification
1.8	Intended Use	General laboratory product for the storage of media and buffers to be used by qualified personnel in a laboratory environment.
1.9	Other Information	For single use only

2.	Features	
2.1	Basic features	Free of detectable DNase/RNase, human DNA and pyrogens. Contents non-cytotoxic
2.2	Temperature range	For application: -20°C to +40°C (max. 75% relative air humidity - must be protected from sunlight - do not store outdoors)
2.3	Autoclavability	No
2.4	Centrifugation, max. RCF	N/A
2.5	Chemical Resistance	See homepage: https://www.gbo.com/en_INT/know-how-services/download-center.html
2.6	Shelf life	5 years
2.7	Other Information	All used materials meet the legal requirements of FDA, BgVV, BfR, LMG

3.	Packaging	950700	951700	952700
3.1	Pieces / Tray	25	25	12
3.2	Pieces / Box	50 (2 trays per box)	100 (4 trays per box)	24 (2 trays per box)
3.3	Lot-No.	7-digit SAP number	7-digit SAP number	7-digit SAP number
3.4	Other Information	-	-	-

4.	Other Information
	-

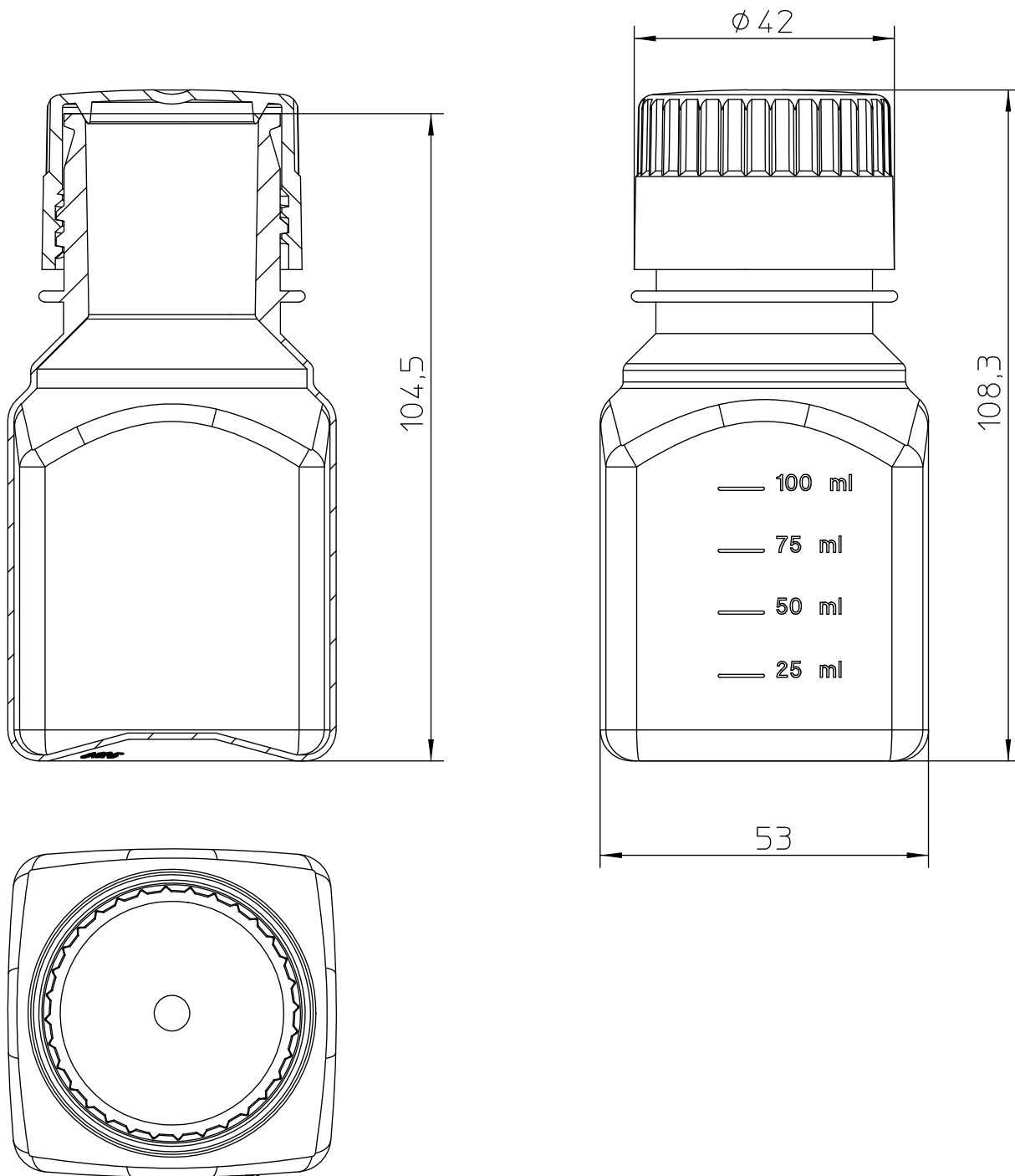
Data Sheet subject to change without notice!

Prior Issue	Drawn	Approved	Released	CONFIDENTIAL: Information contained in this document or drawing is confidential and proprietary to Greiner Bio-One GmbH. This document may not be reproduced for any reason without written permission from Greiner Bio-One GmbH. All rights of design, invention, and copyright are reserved.
Revision 10	Date 26 April 2021	Date 27 April 2021	Date 27 April 2021	
Date 02.07.2020	Name S. Kaelberer	Name Dr. M. Langbein	Name A. Illig	

DISCLAIMER: The description of a certain product can only be considered as a guidance, because its performance ultimately depends on what the product is used for. Very often performance studies are indispensable.



Valid for Item-No.: 951700



Only layout change, no design change of the product.
 Prior drawing No. AC-95xxxx/ Rev 01/ May 17, 2005

"All dimensions in mm"

Customer drawing subject to change without notice!

Uncontrolled Copy

Prior Issue	Drawn	Approved	Released	CONFIDENTIAL: Information contained in this document or drawing is confidential and proprietary to Greiner Bio-One GmbH. This document may not be reproduced for any reason without written permission from Greiner Bio-One GmbH. All rights of design, invention, and copyright are reserved.
Revision	Date 2011/09/12	Date 2011/09/12	Date 2011/09/12	
Date	Name falter	Name falter	Name sonntag	