

5.0ml Cryogenic Vials

Features

1. USP VI Polypropylene
2. Non-pyrogenic, DNase/RNase and human DNA free
3. Round Bottom, Self-standing
4. Solid, one-piece construction ensures the barcode not fall off during the storage under low temperature
5. Autoclavable
6. Sterilized by E-beam, SAL=10⁻⁶
7. Clear graduations and white marking area
8. Recommend to store in gas phase of the nitrogen tank
9. Internal thread Cap: Special screw cap designed with silicone O-ring to secure the sealing under various condition.
10. External thread Cap: Special screw cap designed without silicone ring to avoid the contamination risk.

Description

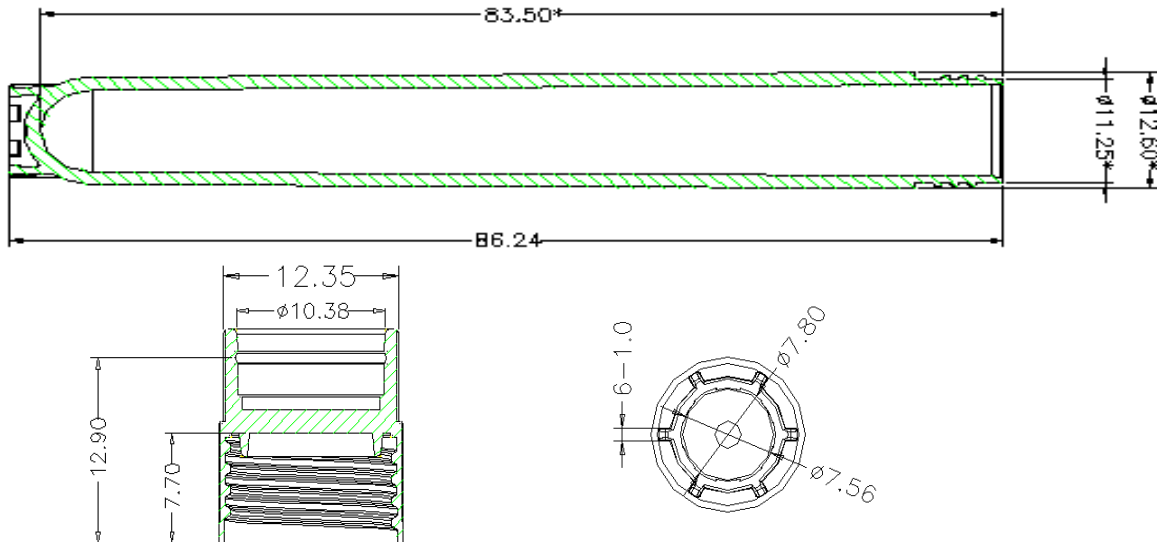
Temperature Range : Approx.-196°C to 121°C
 Shelf Life : 5 Years after date of production (ensure package is in good)
 Sterile : Yes

Product Range

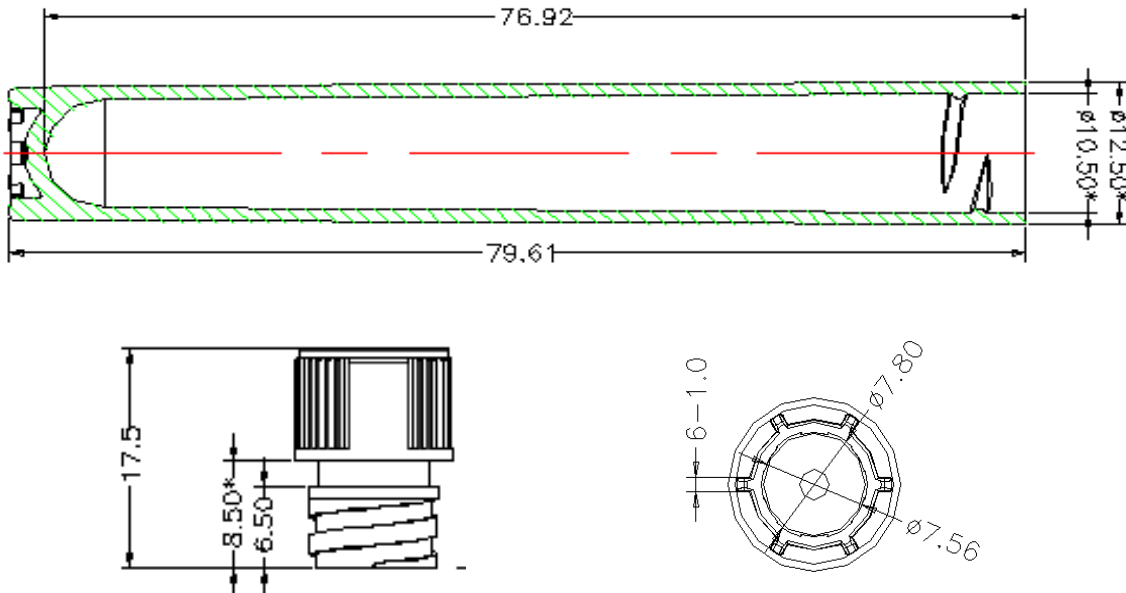
Cat.No.	Volume (mL)	Cap Style	Packaging	/Pack	/Case
609001	5.0	External thread	Plastic bag	50	1,000
609101		Internal thread			
609003		External thread	9*9/Box	81	486
609103		Internal thread			

NEST China	Tel : 0510-6878 8698 / 6878 8718	NEST USA	Tel : +1-732-381-0268
	Email : info@nest-wuxi.com		Email : info@nestscientificusa.com
	Website : www.cell-nest.com		Website : www.nestscientificusa.com
	Add : No.230, xida road, new district, Wuxi, Jiangsu, China		Add : 1592 Hart St., Rahway, NJ07065, USA

External thread



Internal thread



NEST China	Tel : 0510-6878 8698 / 6878 8718	NEST USA	Tel : +1-732-381-0268
	Email : info@nest-wuxi.com		Email : info@nestscientificusa.com
	Website : www.cell-nest.com		Website : www.nestscientificusa.com
	Add : No.230, xida road, new district, Wuxi, Jiangsu, China		Add : 1592 Hart St., Rahway, NJ07065, USA